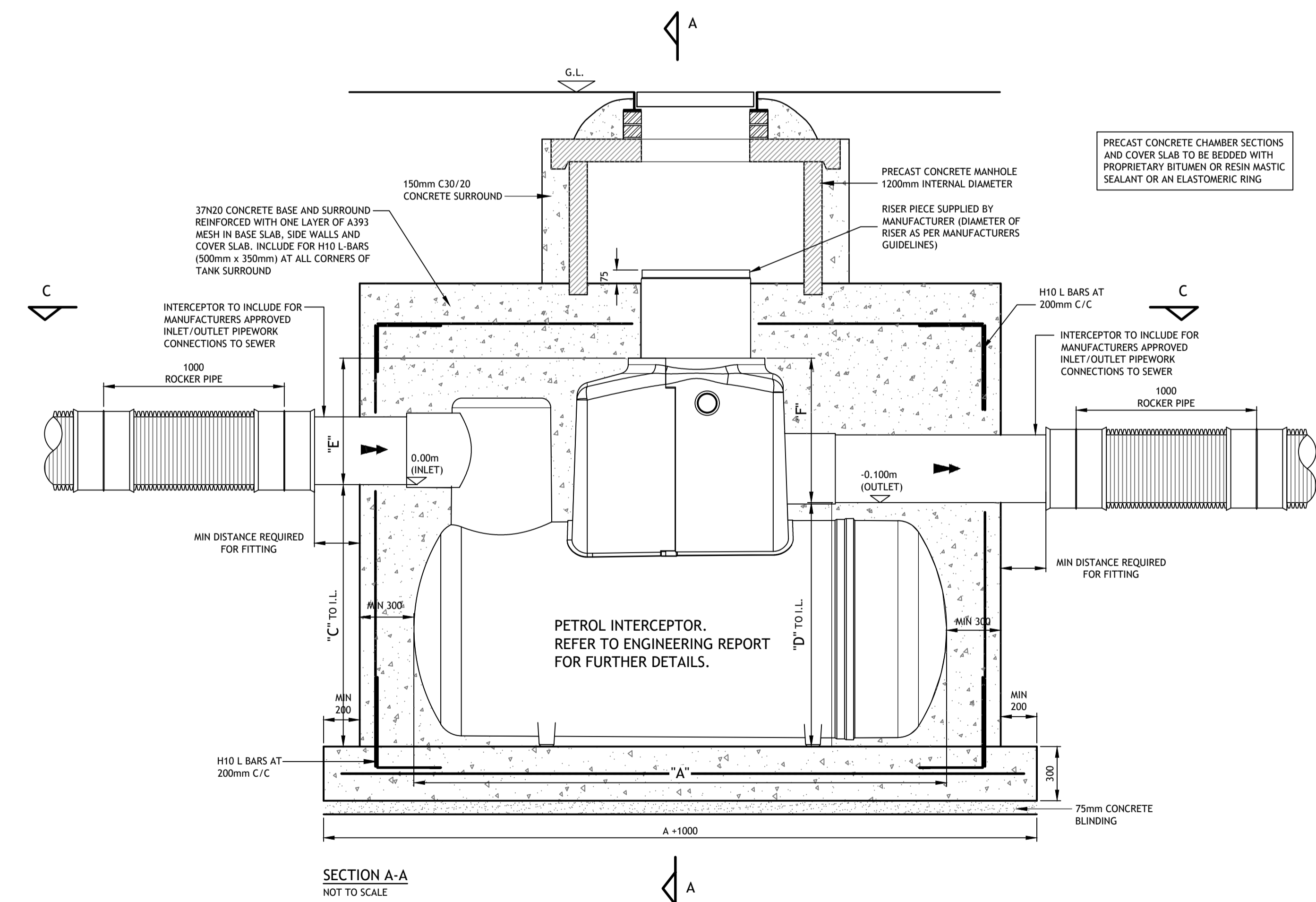
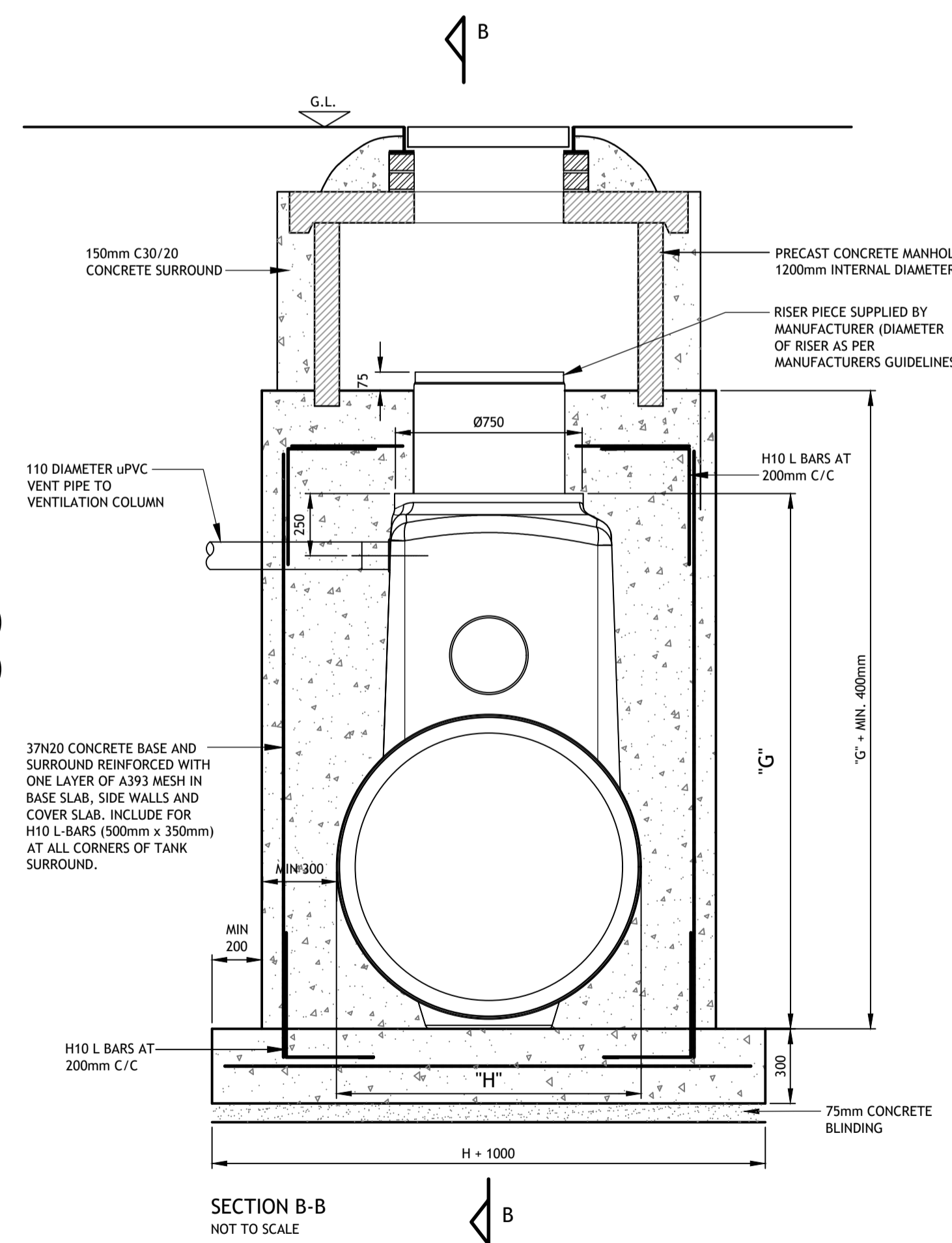


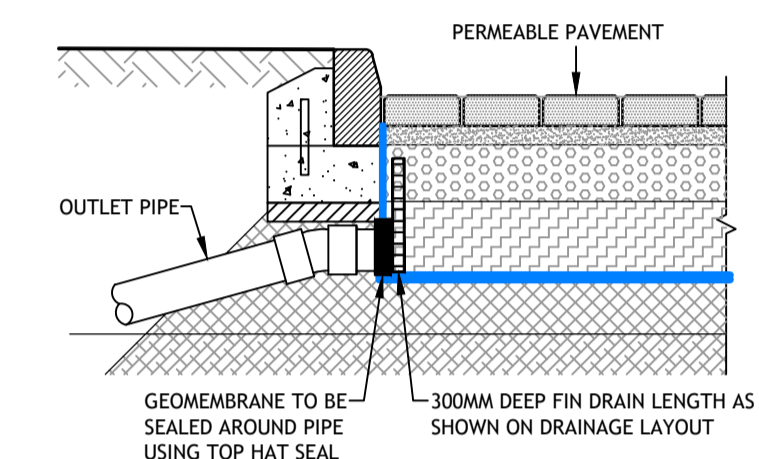
KLARGESTER NSBE010 CLASS 1 BYPASS PETROL INTERCEPTOR - PLAN VIEW
NOT TO SCALE



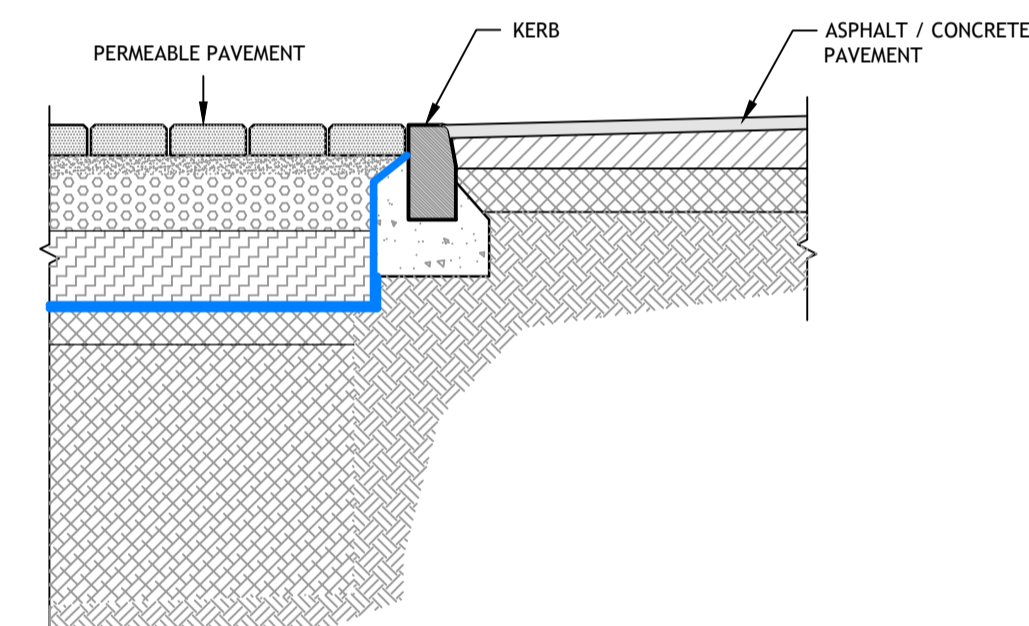
SECTION A-A
NOT TO SCALE



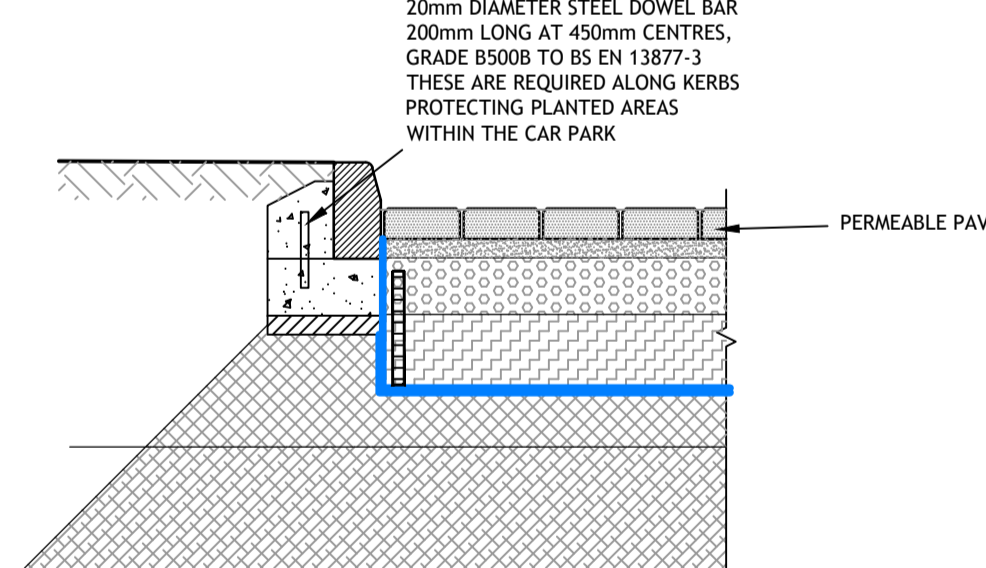
SECTION B-B
NOT TO SCALE



TYPICAL DETAIL AT INTERFACE BETWEEN PERMEABLE PAVING AND SOFT LANDSCAPING AT DISCHARGE POINT
SCALE 1:20



TYPICAL DETAIL AT INTERFACE BETWEEN PERMEABLE PAVING AND ROAD
SCALE 1:20



TYPICAL DETAIL AT INTERFACE BETWEEN PERMEABLE PAVING AND SOFT LANDSCAPING
SCALE 1:20

Rev	Amendment	By	Date	Rev	Amendment	By	Date
C01	PART 8 PLANNING APPLICATION ISSUE	RD	2022/08/18				

Rev	Amendment	By	Date

Client: SOUTH DUBLIN COUNTY COUNCIL

Project: NEW MECHANICAL SERVICES DEPOT AND ADDITIONAL SALT BARN			
Title: TYPICAL DRAINAGE DETAILS - SHEET 2			
Drawn: RD	Date drawn: AUGUST 2022	Technician Check: RD	Engineer Check: SOC
Project No: 222153	Model Ref: 222153-PUNCH-XX-XX-M2-C-0500	Drawing Status: A0	Approved: MR
Scale @ A1: AS SHOWN	Document No: 222153-PUNCH-XX-XX-DR-C-0501	Revision No: C01	