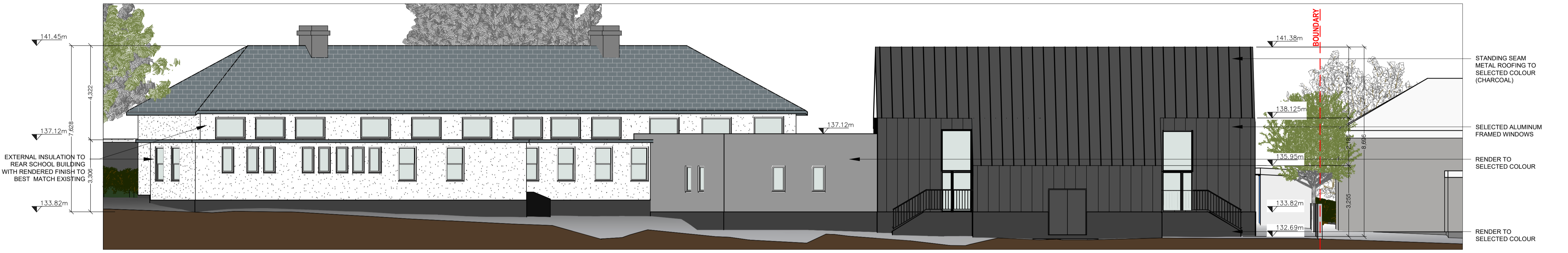


EXISTING SLATE ROOF TO BE REPAIRED AND EXISTING SLATES TO BE REFITTED WITH REPLICA SLATES TO REAR WHERE REQUIRED

NEW PAINTED TIMBER FRAME DOUBLE GLAZED WINDOWS TO REFER TO ORIGINAL FORMAT TO REPLACE EXISTING uPVC WINDOWS

EXISTING PEBBLE DASH FINISH MADE GOOD AND PAINTED

01 PROPOSED ELEVATION 01
P05 SCALE = 1:100 @A1, 1:200@A3



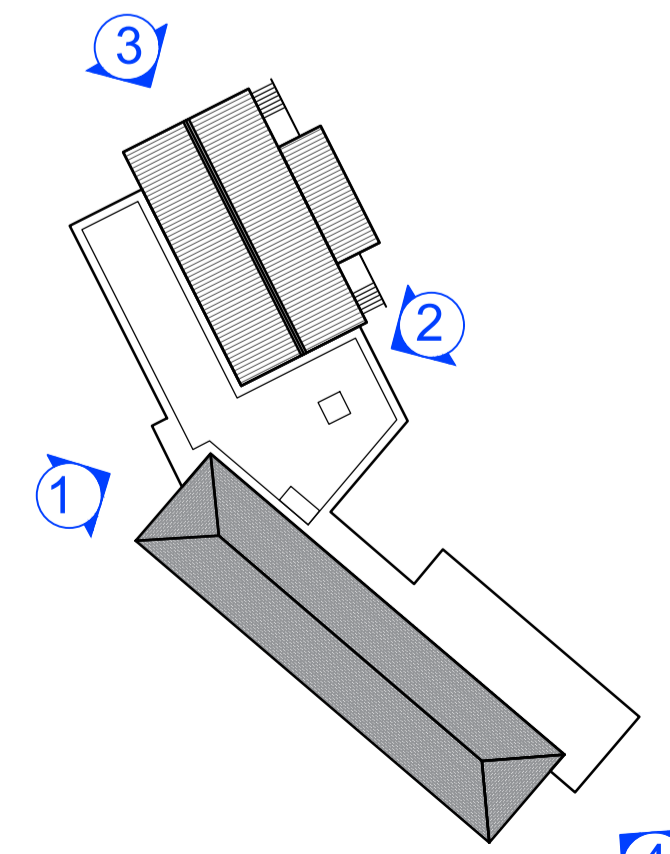
02 PROPOSED ELEVATION 02
P05 SCALE = 1:100 @A1, 1:200@A3



03 PROPOSED ELEVATION 03
P05 SCALE = 1:100 @A1, 1:200@A3



04 PROPOSED ELEVATION 04
P05 SCALE = 1:100 @A1, 1:200@A3



07 KEY PLAN
P05 SCALE = 1:400 @A1, 1:1000@A3