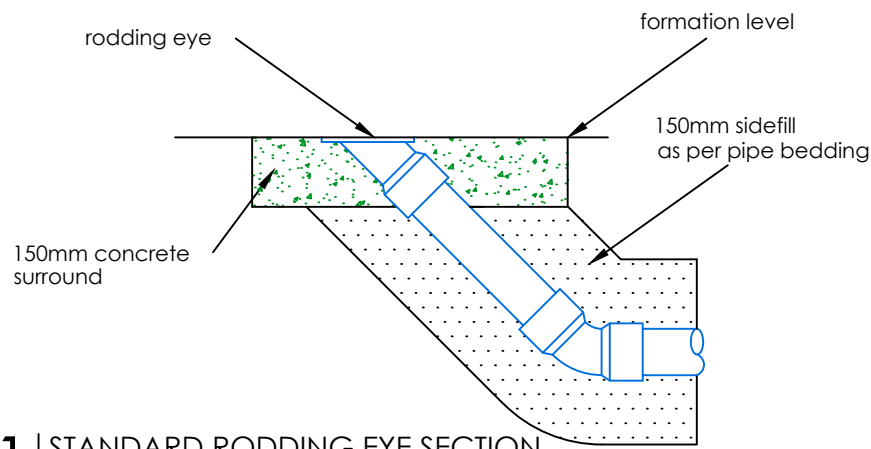
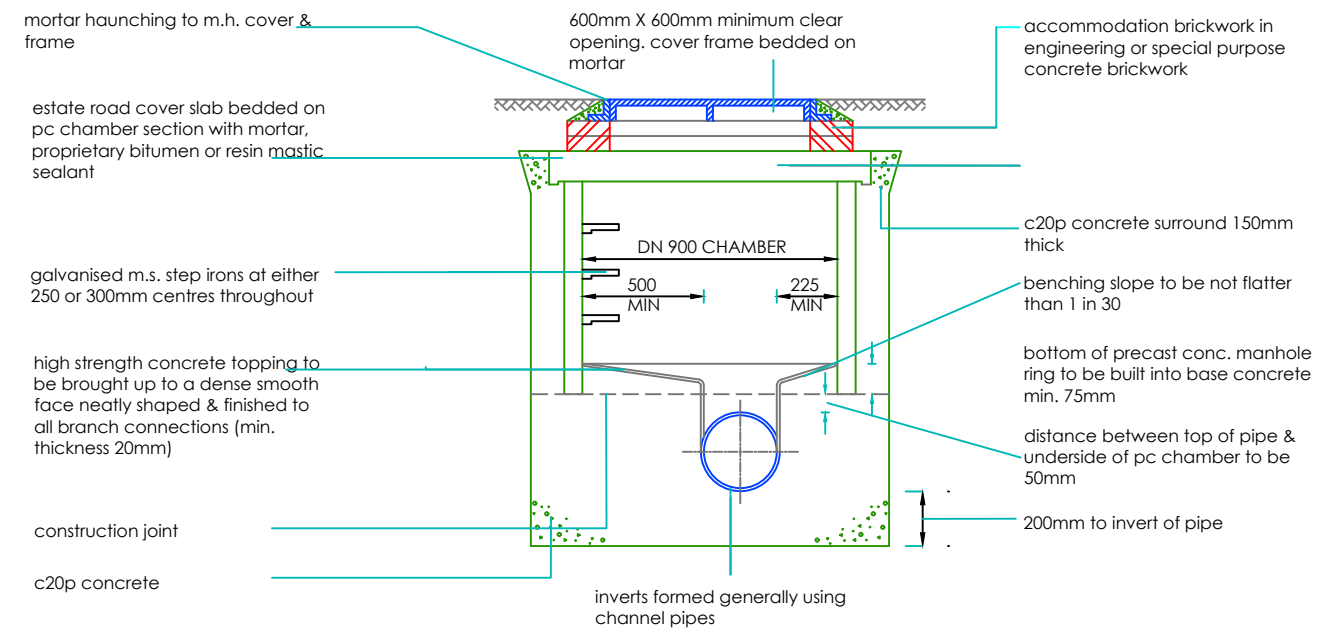


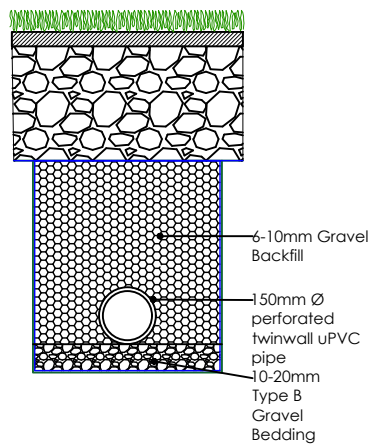
NOTES  
It is the contractors responsibility to check design levels and sizes for compliance. Any discrepancies or errors to be identified to the design team.



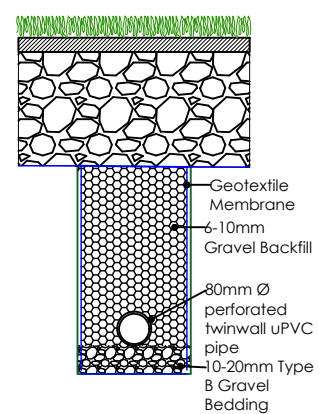
01 | STANDARD RODDING EYE SECTION



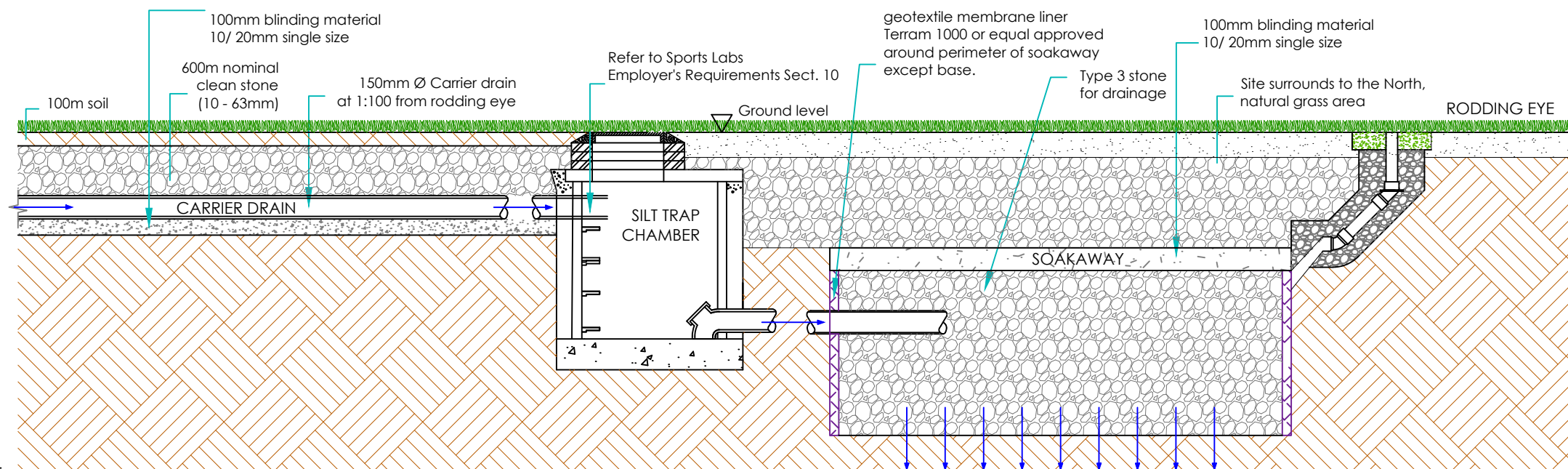
02 | STANDARD MANHOLE SECTION



03 | STANDARD LATERAL DRAIN SECTION



04 | STANDARD CARRIER DRAIN SECTION

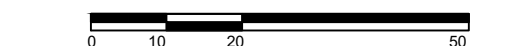


05 | SOAKAWAY  
SCALE: NTS

REVISION	DETAILS	BY	DATE	CHECKED
----------	---------	----	------	---------



**KNOCKLYON PARK  
DRAINAGE DETAILS**  
CONSTRUCTION OF A NEW ARTIFICIAL PITCH



Date: 04/2023 Scale: VARES	Job. No. 3096	Drawn by: CH Checked by: DD
-------------------------------	---------------	--------------------------------