

Tallaght Innovation Centre

Belgard Square North,
Dublin 24




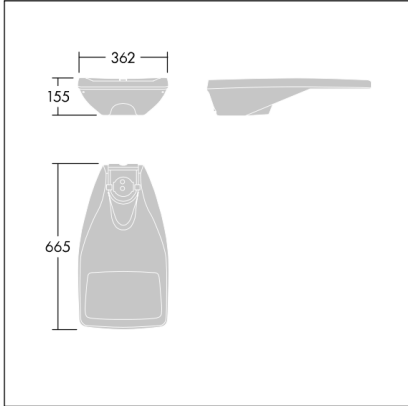
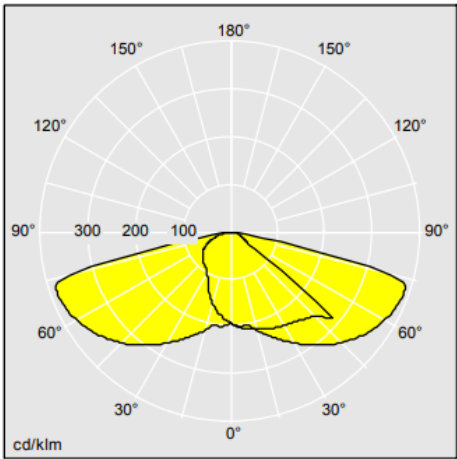
Comhairle Contae
Átha Cliath Theas
South Dublin County Council

Luminaire Schedule

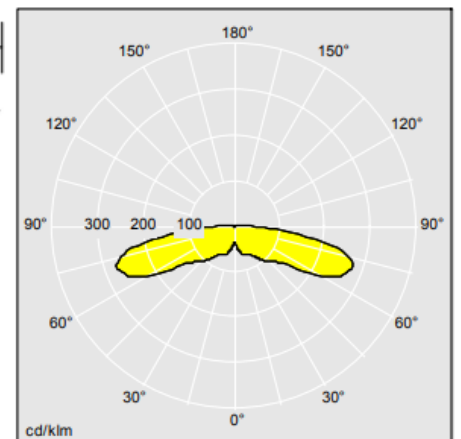
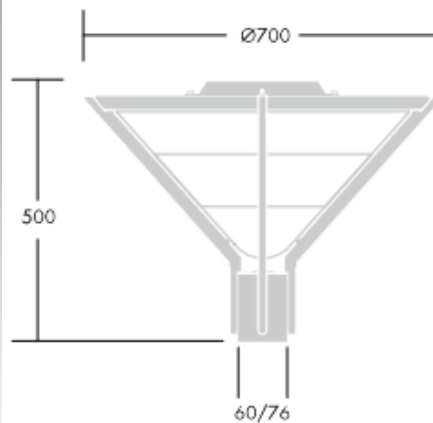
IN2 Project No. D1949

14th September 2020

REV00

Luminaire Reference	X3	Manufacturer	Thorn / R2L2
Body Description	Die-Cast aluminium, powder coated textured light grey, IP66, IK09	Recessed/Surface or Wall Mounted	Pole Mounted on 6M columns
Diffuser Type	Tempered Glass	Lamps	15W LED Lamp
Reflector	Narrow Road Optic	Lumen Output	2049 Lumens
Control Gear	230 V, 50 Hz. Individual Photocell Control	Colour of Lamps	2700K
Area of Application	Pathways and landscape	Lamp Life	100,000hours
Dimensions (mm)	655mm (L) x 362mm (W) x 155mm (H)	IEC Photometric Code	840/339
Wavelength	Peak > 550nm	IESNA LM 80-80 tested	Yes
An extra small size LED road lighting lantern with 12 LEDs driven at 350mA with Narrow Road optic.			
Lumen Depreciation	L95 B10	Power Factor	> 0.9
Colour rendering Index	<70	LED luminaire tested	To be in accordance with IESNA LM-79-08.
Manufacturing Standard	EN 60 598-1:2015, EN 60598-2-2:2012, IEC/TR 62778:2014	LED module tested	To be in accordance with IEC 61347-2-13 & IEC 62384.
Warranty Length	Five-year manufacturer's warranty to include failure of all luminaire components, inclusive of driver, electronics & LED modules. Contractor to include for all fixtures and fixings necessary for correct mounting and operation.		
   <p>Contractor to ensure catalogue numbers are the latest and are correct prior to ordering.</p>			

Luminaire Reference	X4	Manufacturer	Thorn / Avenue F2
Body Description	Die-Cast LM-6 aluminium, IP66, IK08	Recessed/Surface or Wall Mounted	Pole Mounted on 3M columns
Diffuser Type	Clear Polycarbonate	Lamps	21W LED Lamp
Reflector	Type III Medium Optical Setting	Lumen Output	2120 Lumens
Control Gear	230 V, 50 Hz.	Colour of Lamps	2700K
Area of Application	Pedestrian Routes	Lamp Life	100,000hours
Dimensions (mm)	Ø700mm x 500mm (H)	IEC Photometric Code	840/339
Wavelength	Peak > 550nm	IESNA LM 80-80 tested	Yes
Decorative post-top lantern with symmetric distribution. Equipped with 50% power reduction circuit, effective 3 hours before and 5 hours after a calculated midnight. It can be deactivated at installation with an easily accessible internal switch.			
Lumen Depreciation	L90 B10	Power Factor	> 0.9
Colour rendering Index	<70	LED luminaire tested	To be in accordance with IESNA LM-79-08.
Manufacturing Standard	EN 60 598-1:2015, EN 60598-2-2:2012, IEC/TR 62778:2014	LED module tested	To be in accordance with IEC 61347-2-13 & IEC 62384.
Warranty Length	Ten-year manufacturer's warranty to include failure of all luminaire components, inclusive of driver, electronics & LED modules. Contractor to include for all fixtures and fixings necessary for correct mounting and operation.		



Contractor to ensure catalogue numbers are the latest and are correct prior to ordering.