

# SITE 3

Site 3 East side of the junction of Convent Road and Main Street, Clondalkin,  
D22

SITE 3	
CLIENT:	South Dublin County Council
DATE:	FEB 2026
SHEET	P000

**@KEENAN LYNCH ARCHITECTS**  
ADDRESS: 47 HERBERT LANE  
DUBLIN 2, D02 NY89  
PHONE: 01 662 0944  
EMAIL: info@kla.ie





Map Number:  
3326-10\*  
3326-09

**Site Location - Site 3**

1 : 2500

THIS DRAWING IS PROTECTED BY COPYRIGHT AND MUST NOT BE COPIED OR REPRODUCED WITH OUT THE WRITTEN CONSENT OF KEENAN LYNCH ARCHITECTS.

DIMENSIONS ARE NOT TO BE SCALED FROM THIS DRAWING.

IN THE EVENT OF ANY DISCREPANCIES BETWEEN DRAWINGS, THE CONTRACTOR IS TO INFORM THE ARCHITECT IMMEDIATELY.

ALL DIMENSIONS AND SIZES TO BE CHECKED ON SITE.©

NOTES / LEGEND

— Site Boundary Line



REV:	DATE:	DESCRIPTION:	ISSUED:



©KEENAN LYNCH ARCHITECTS  
 ADDRESS: 47 HERBERT LANE  
 DUBLIN 2, D02 NY89  
 PHONE: 01 662 0944  
 EMAIL: info@kla.ie

CLIENT	South Dublin County Council		
PROJECT	South Dublin Outdoor Advertising Project		
TITLE	Site Location Map - Site 3		
DRAWN BY	MD	DATE:	SCALE As indicated @ A3

CODE	ORIGINATOR:	PHASE:	LEVEL:	TYPE:	ROLE:	NUMBER:	REVISION:
-	KLA	-	-	-	-	- A103	-

Description:

Digital Landscape Model (DLM)  
 Publisher / Source:

Tailte Éireann  
 Data Source / Reference:

PRIME2  
 File Format:  
 Autodesk AutoCAD (DWG\_R2013)  
 File Name:

v\_50516848\_5.dwg  
 Clip Extent / Area of Interest (AOI):

LLX,LLY= 706671.6364,730971.5806  
 LRX,LRX= 707254.6364,730971.5806  
 ULX,ULY= 706671.6364,731401.5806  
 URX,URY= 707254.6364,731401.5806  
 Projection / Spatial Reference:

Projection= IREN95\_Irish\_Transverse\_Mercator  
 Centre Point Coordinates:

X,Y= 706963.1364,731186.5806  
 Reference Index:

Map Series | Map Sheets  
 1:1,000 | 3326-10  
 1:1,000 | 3326-09  
 Data Extraction Date:

Date= 09-Feb-2026  
 Source Data Release:

DCMLS Release V1.195.121  
 Product Version:

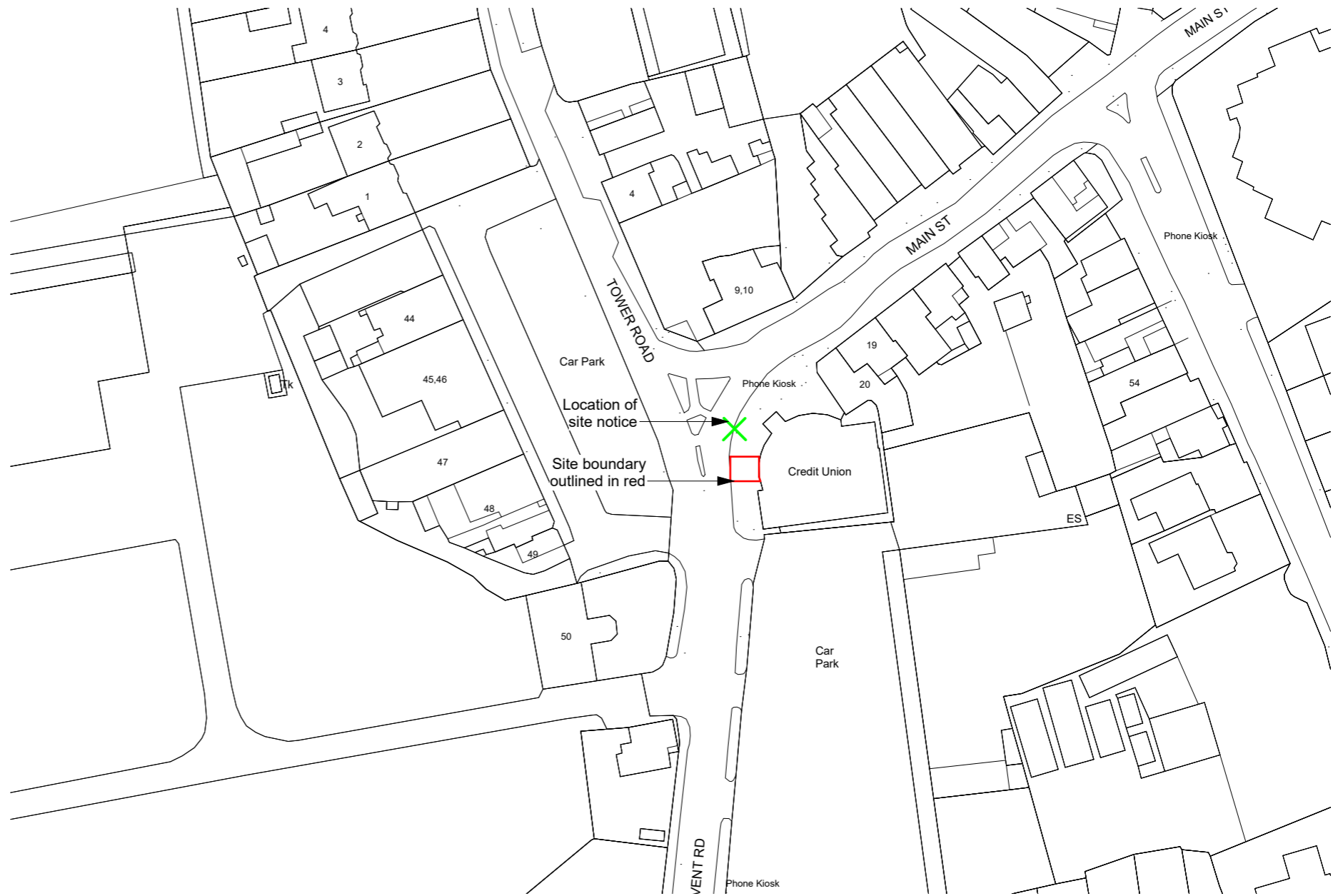
Version= 1.4  
 License / Copyright:

Compiled and published by:  
 Tailte Éireann,  
 Phoenix Park,  
 Dublin 8,  
 Ireland.  
 D08F6E4  
 www.tailte.ie

Any unauthorised reproduction infringes Tailte Éireann copyright.  
 No part of this publication may be copied, reproduced or transmitted in any form or by any means without the prior written permission of the copyright owner.  
 The representation on this map of a road, track or footpath is not evidence of the existence of a right of way.  
 This topographic map does not show legal property boundaries, nor does it show ownership of physical features.

© Tailte Éireann, 2026  
 All rights reserved.  
 Gach cead ar cosnamh.

Ní ceadmhach aon chuid den fhoilseachán seo a chóipeáil, a atáirgeadh nó a tharchur in aon fhoirm ná ar aon bhealach gan cead i scríbhinn roimh ré ó úinéirí an chóipchirt Ní hionann bóthar, bealach nó cosán a bheith ar an léarscáil seo agus fianaise ar chead slí.  
 Ní thaispeánann an léarscáil topagrafach seo teorainneacha réadmhaoine dlíthiúla, agus ní léiríonn sé úinéireacht ar ghnéithe fisiceacha.



**OS Map**  
 1 : 1000

THIS DRAWING IS PROTECTED BY COPYRIGHT AND MUST NOT BE COPIED OR REPRODUCED WITH OUT THE WRITTEN CONSENT OF KEENAN LYNCH ARCHITECTS.

DIMENSIONS ARE NOT TO BE SCALED FROM THIS DRAWING.

IN THE EVENT OF ANY DISCREPANCIES BETWEEN DRAWINGS, THE CONTRACTOR IS TO INFORM THE ARCHITECT IMMEDIATELY.

ALL DIMENSIONS AND SIZES TO BE CHECKED ON SITE.©

NOTES / LEGEND

Key:	
	Site Boundary Line
	Location of Site Notice
Site Area:	24.78m <sup>2</sup>

**SDCC**

Comhairle Contae South Dublin  
 Átha Cliath Theas County Council

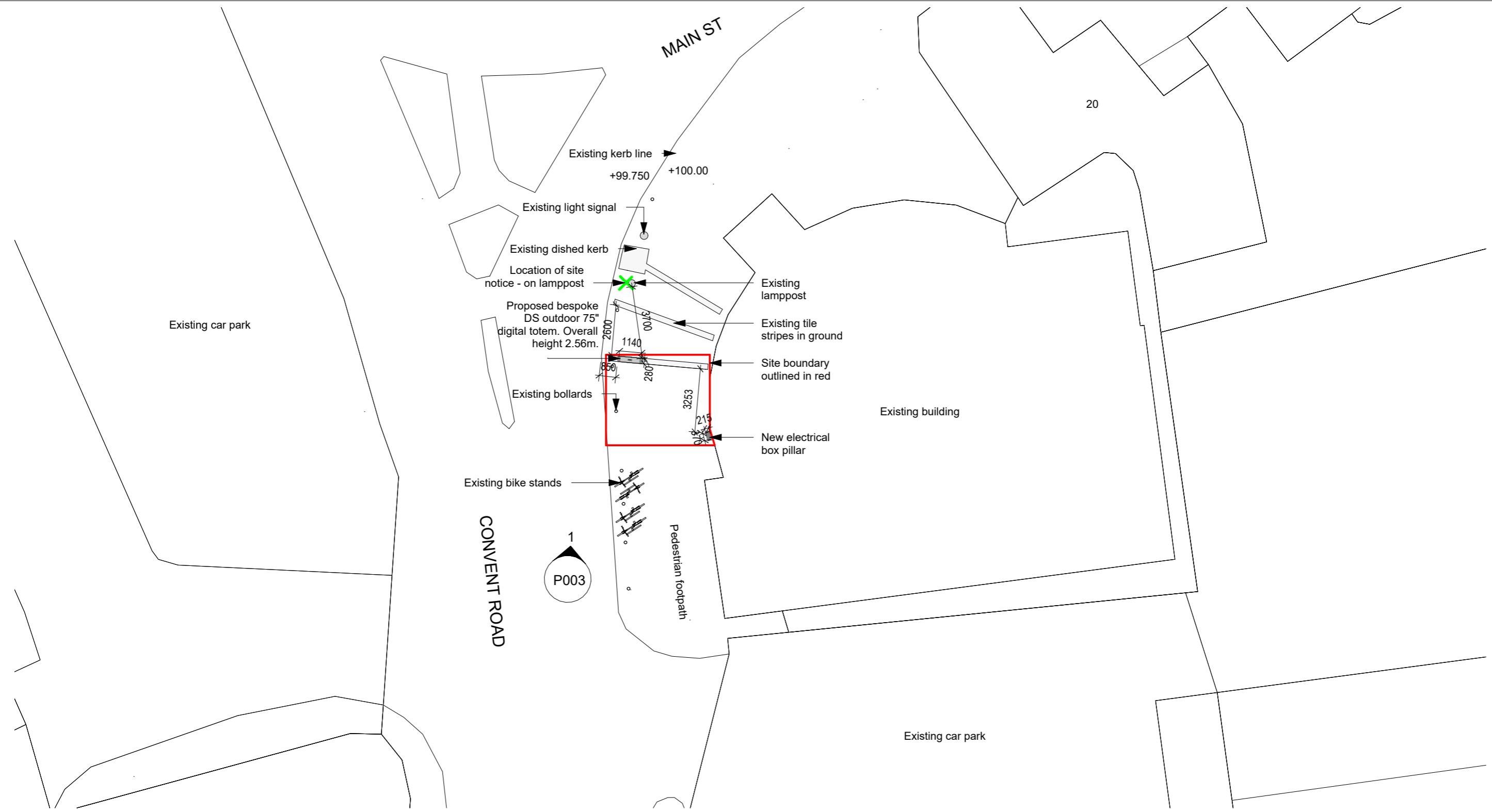
REV:	DATE:	DESCRIPTION:	ISSUED:

**KEENAN LYNCH ARCHITECTS**

©KEENAN LYNCH ARCHITECTS  
 ADDRESS: 47 HERBERT LANE  
 DUBLIN 2, D02 NY89  
 PHONE: 01 662 0944  
 EMAIL: info@kla.ie

CLIENT	South Dublin County Council
PROJECT	South Dublin Outdoor Advertising Project
TITLE	Site Location Map - Site 3 East side of the junction of Convent Road and Main Street, Clondalkin, D22
DRAWN BY	MD
DATE:	FEB 2026
SCALE	As indicated @ A3

CODE	ORIGINATOR:	PHASE:	LEVEL:	TYPE:	ROLE:	NUMBER:	REVISION:
JCD105J-	KLA	- PD -	GF -	DR -	A -	P001 -	



# Site Layout Plan

1 : 200





THIS DRAWING IS PROTECTED BY COPYRIGHT AND MUST NOT BE COPIED OR REPRODUCED WITHOUT THE WRITTEN CONSENT OF KEENAN LYNCH ARCHITECTS.

DIMENSIONS ARE NOT TO BE SCALED FROM THIS DRAWING.

IN THE EVENT OF ANY DISCREPANCIES BETWEEN DRAWINGS, THE CONTRACTOR IS TO INFORM THE ARCHITECT IMMEDIATELY.

ALL DIMENSIONS AND SIZES TO BE CHECKED ON SITE.©

NOTES / LEGEND

<b>Key:</b>	
	Site Boundary Line
	Location of Site Notice
Site Area:	24.78m <sup>2</sup>



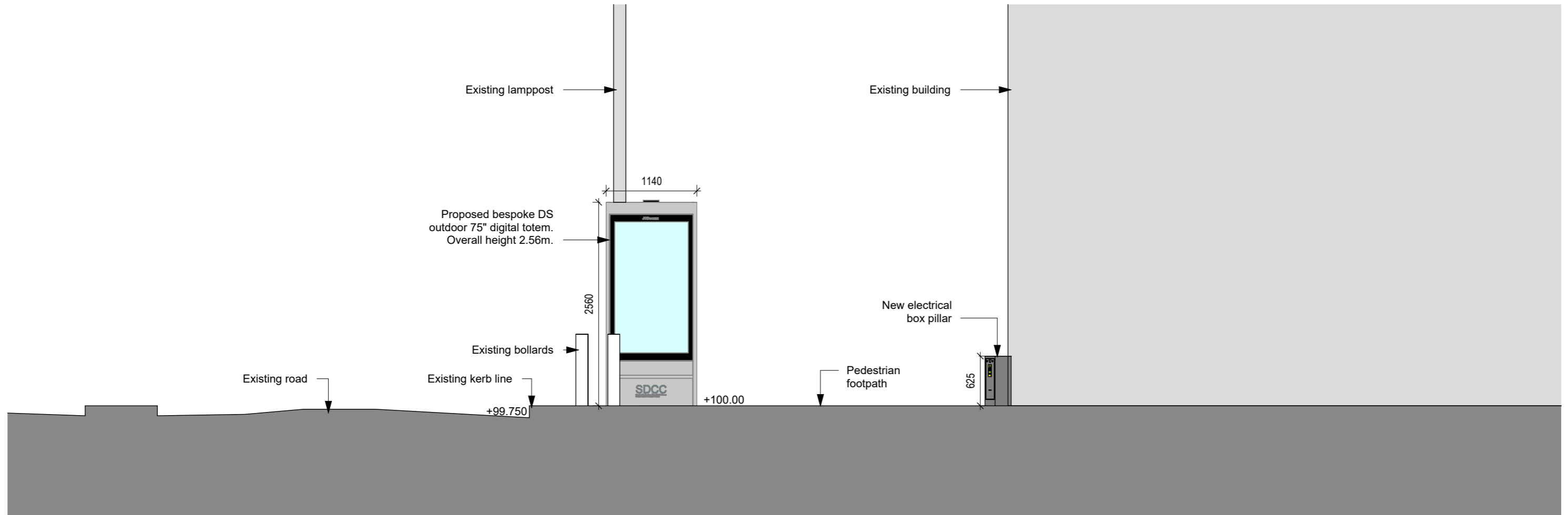
REV:	DATE:	DESCRIPTION:	ISSUED:



**KEENAN LYNCH ARCHITECTS**

©KEENAN LYNCH ARCHITECTS  
 ADDRESS: 47 HERBERT LANE  
 DUBLIN 2, D02 NY89  
 PHONE: 01 662 0944  
 EMAIL: info@kla.ie

CLIENT	South Dublin County Council						
PROJECT	South Dublin Outdoor Advertising Project						
TITLE	Site Layout Plan - Site 3 East side of the junction of Convent Road and Main Street, Clondalkin, D22						
DRAWN BY	MD	DATE:	FEB 2026	SCALE	As indicated @ A3		
CODE	ORIGINATOR:	PHASE:	LEVEL:	TYPE:	ROLE:	NUMBER:	REVISION:
JCD105J-	KLA	- PD -	GF -	DR -	A -	P002 -	



# Elevation

1 : 50

THIS DRAWING IS PROTECTED BY COPYRIGHT AND MUST NOT BE COPIED OR REPRODUCED WITHOUT THE WRITTEN CONSENT OF KEENAN LYNCH ARCHITECTS.

DIMENSIONS ARE NOT TO BE SCALED FROM THIS DRAWING.

IN THE EVENT OF ANY DISCREPANCIES BETWEEN DRAWINGS, THE CONTRACTOR IS TO INFORM THE ARCHITECT IMMEDIATELY.

ALL DIMENSIONS AND SIZES TO BE CHECKED ON SITE.©

## NOTES / LEGEND



Comhairle Contae South Dublin  
Átha Cliath Theas County Council

REV:	DATE:	DESCRIPTION:	ISSUED:



©KEENAN LYNCH ARCHITECTS

ADDRESS: 47 HERBERT LANE

DUBLIN 2, D02 NY89

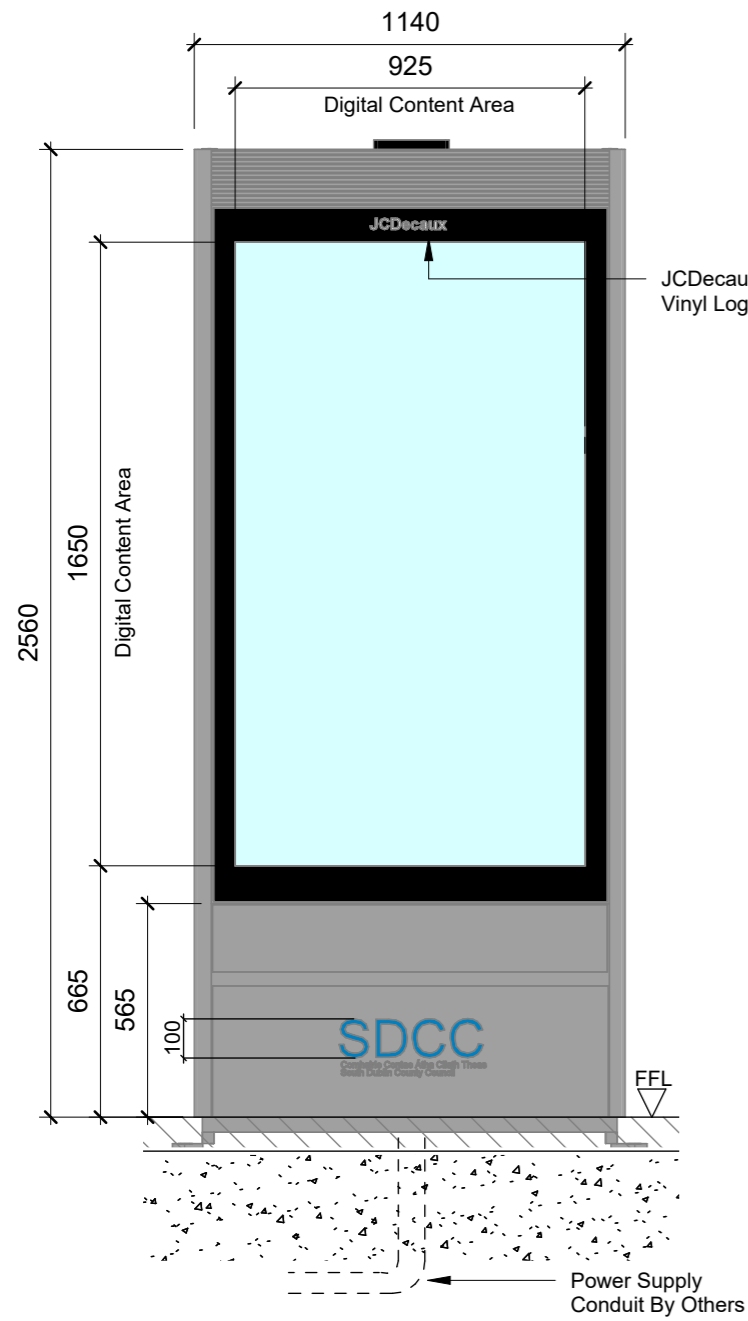
PHONE: 01 662 0944

EMAIL: info@kla.ie

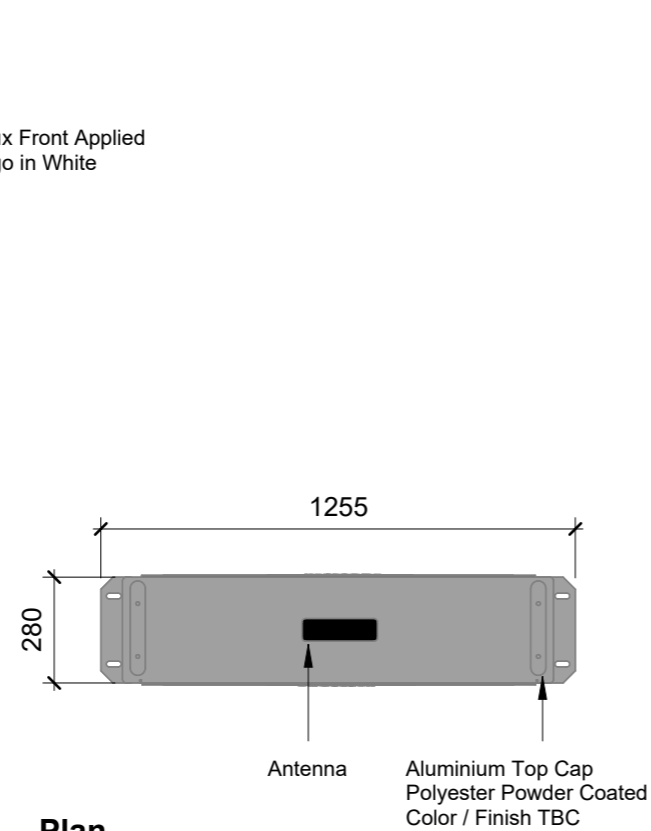
CLIENT	South Dublin County Council						
PROJECT	South Dublin Outdoor Advertising Project						
TITLE	Site Elevation - Site 3 East side of the junction of Convent Road and Main Street, Clondalkin, D22						
DRAWN BY	MD	DATE:	FEB 2026	SCALE	1 : 50 @ A3		

CODE	ORIGINATOR:	PHASE:	LEVEL:	TYPE:	ROLE:	NUMBER:	REVISION:
JCD105J-	KLA	- PD	- GF	- DR	- A	- P003	-

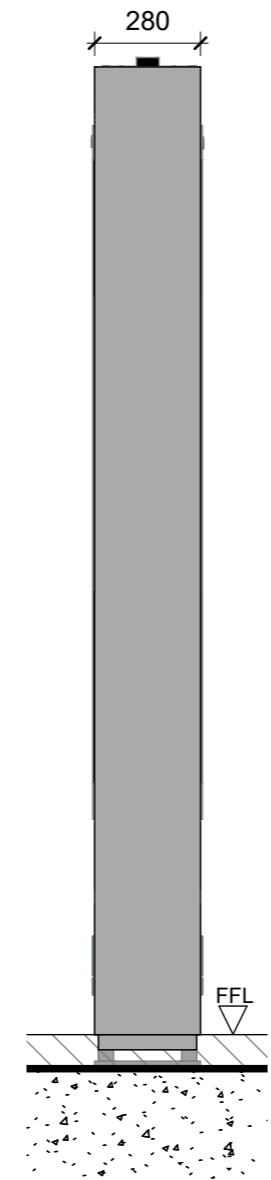
# Bespoke DS Outdoor 75" Digital Totem



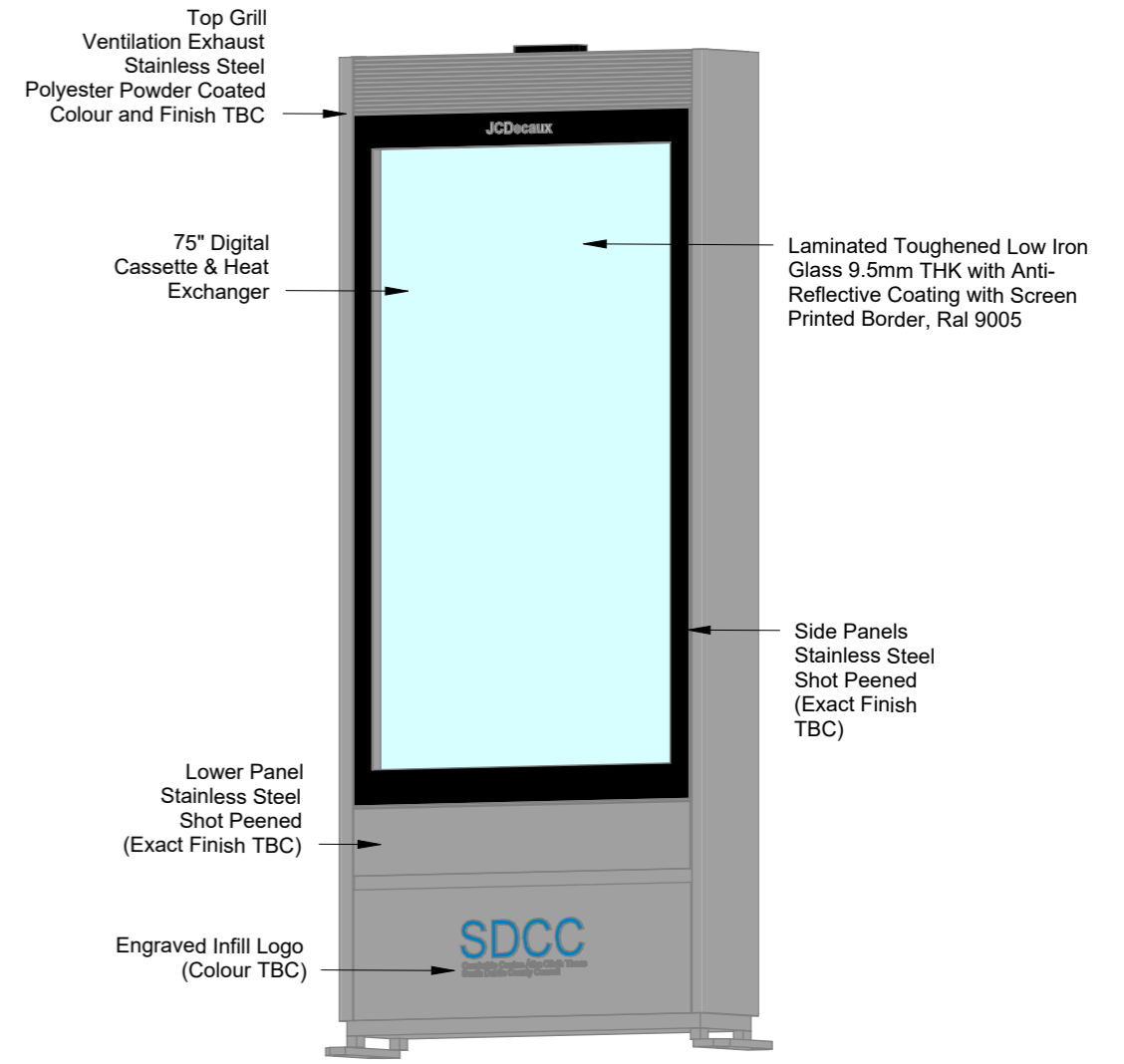
**Front Elevation**  
Scale: 1 : 20



**Plan**  
Scale: 1 : 20



**Side Elevation**  
Scale: 1 : 20



THIS DRAWING IS PROTECTED BY COPYRIGHT AND MUST NOT BE COPIED OR REPRODUCED WITH OUT THE WRITTEN CONSENT OF KEENAN LYNCH ARCHITECTS.

DIMENSIONS ARE NOT TO BE SCALED FROM THIS DRAWING.

IN THE EVENT OF ANY DISCREPANCIES BETWEEN DRAWINGS, THE CONTRACTOR IS TO INFORM THE ARCHITECT IMMEDIATELY.

ALL DIMENSIONS AND SIZES TO BE CHECKED ON SITE.©

NOTES / LEGEND



REV:	DATE:	DESCRIPTION:	ISSUED:

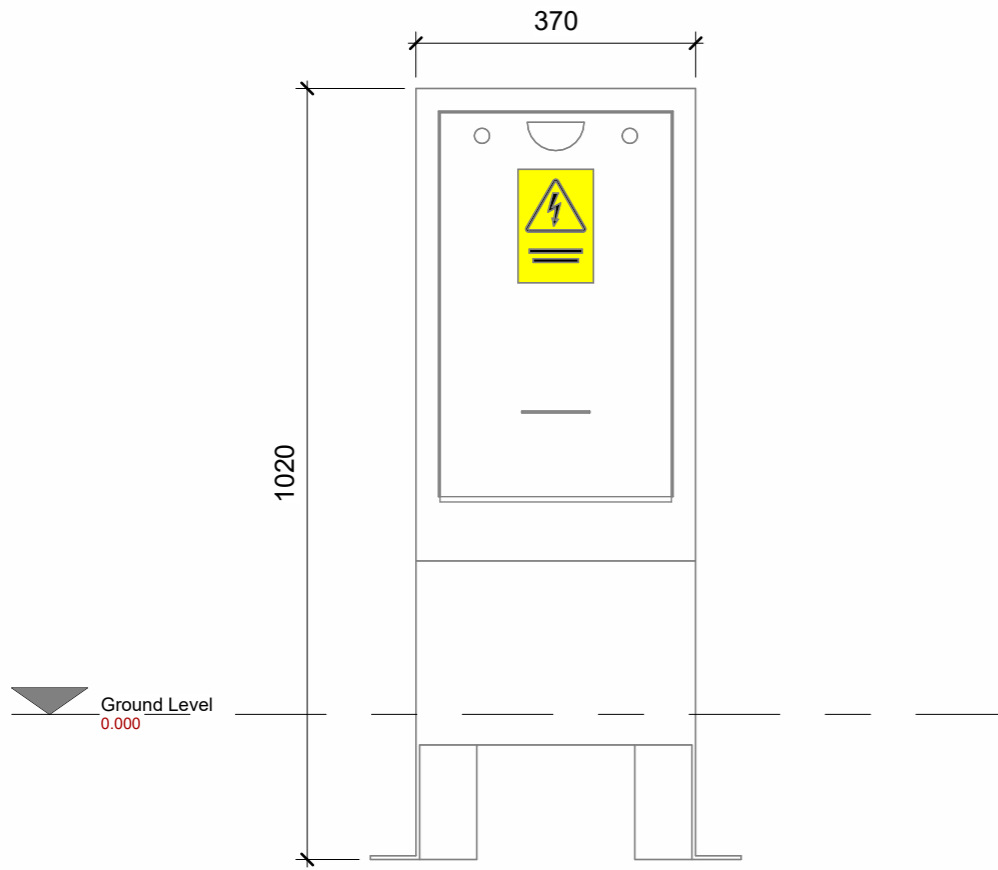


©KEENAN LYNCH ARCHITECTS  
ADDRESS: 47 HERBERT LANE  
DUBLIN 2, D02 NY89  
PHONE: 01 662 0944  
EMAIL: info@kla.ie

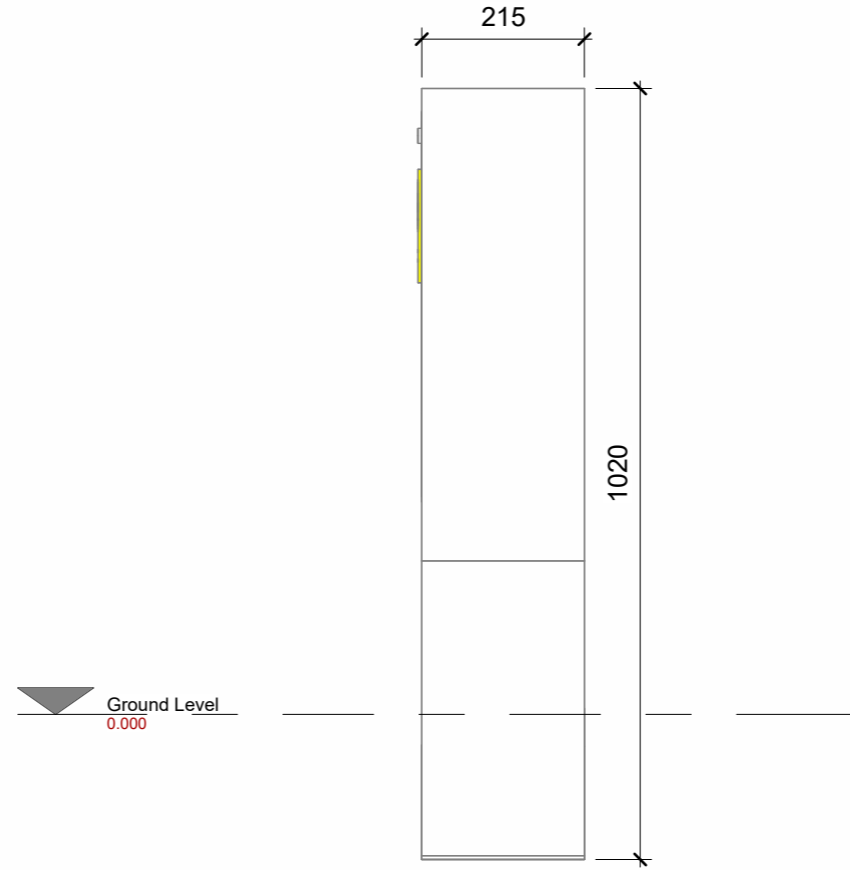
CLIENT	South Dublin County Council		
PROJECT	South Dublin Outdoor Advertising Project		
TITLE	Bespoke DS Outdoor 75" Digital Totem - Plan & Elevations		
DRAWN BY	MD	DATE: FEB 2026	SCALE 1:20 @ A3

CODE	ORIGINATOR:	PHASE:	LEVEL:	TYPE:	ROLE:	NUMBER:	REVISION:
-	KLA	-	-	-	-	-	MP100 -

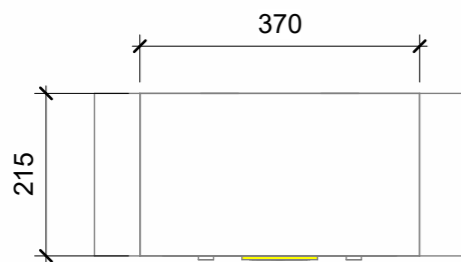
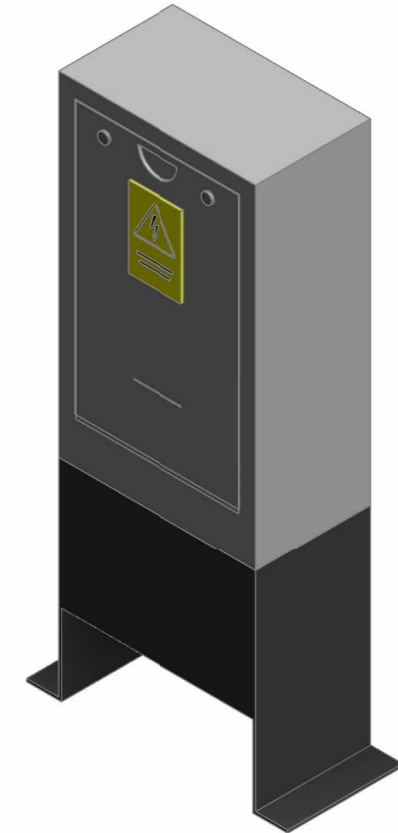
# Single-Phase Mini Pillar - unmetered connection



**Front Elevation**  
Scale: 1 : 10



**Side Elevation**  
Scale: 1 : 10



**Plan**  
Scale: 1 : 10

THIS DRAWING IS PROTECTED BY COPYRIGHT AND MUST NOT BE COPIED OR REPRODUCED WITHOUT THE WRITTEN CONSENT OF KEENAN LYNCH ARCHITECTS.

DIMENSIONS ARE NOT TO BE SCALED FROM THIS DRAWING.

IN THE EVENT OF ANY DISCREPANCIES BETWEEN DRAWINGS, THE CONTRACTOR IS TO INFORM THE ARCHITECT IMMEDIATELY.

ALL DIMENSIONS AND SIZES TO BE CHECKED ON SITE.©

NOTES / LEGEND



Comhairle Contae South Dublin  
Átha Cliath Theas County Council

REV:	DATE:	DESCRIPTION:	ISSUED:



©KEENAN LYNCH ARCHITECTS  
ADDRESS: 47 HERBERT LANE  
DUBLIN 2, D02 NY89  
PHONE: 01 662 0944  
EMAIL: info@kla.ie

CLIENT	South Dublin County Council		
PROJECT	South Dublin Outdoor Advertising Project		
TITLE	Single-Phase Mini Pillar - unmetered connection		
DRAWN BY	S. Ryan	DATE: Feb. 2026	SCALE: 1 : 10 @ A3

CODE	ORIGINATOR:	PHASE:	LEVEL:	TYPE:	ROLE:	NUMBER:	REVISION:
-	KLA	-	-	-	-	- P200	-